

# ONT Ceiling Distribution System

CM-708-SK-0329 (as shown)

### Applications:

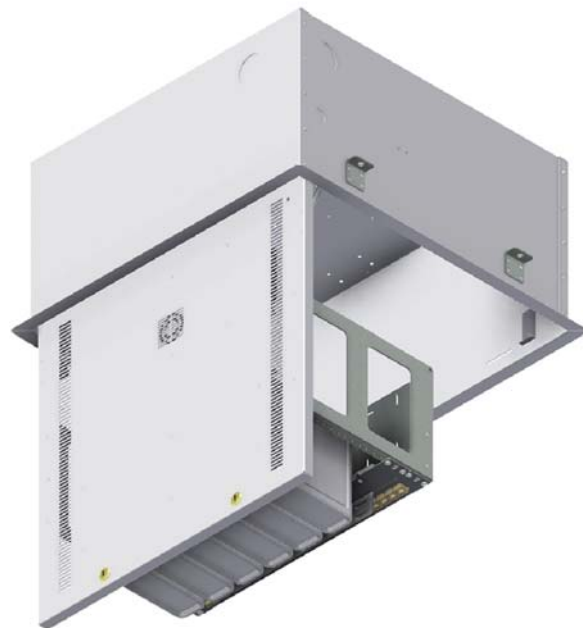
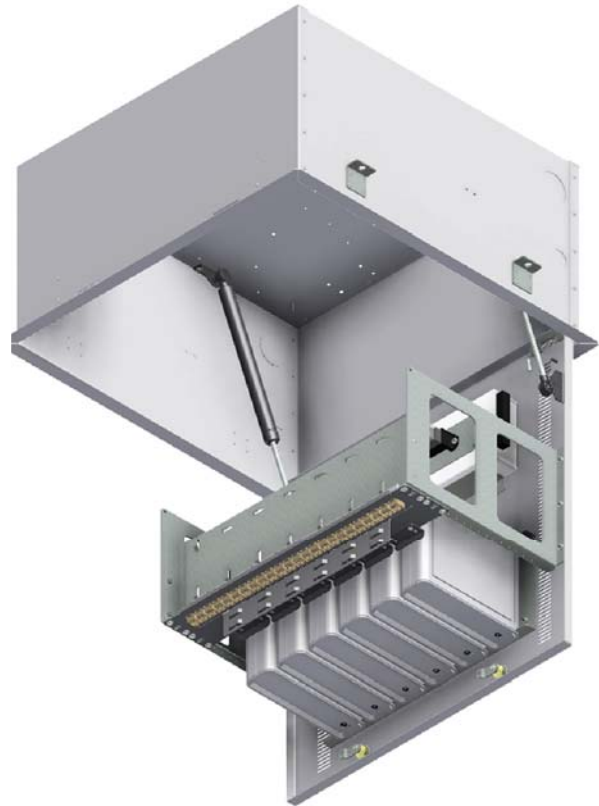
This fully assembled ceiling mount enclosure mounts in 2' x 2', 2' x 4' and 2' x 6' drop ceiling grids and can be fitted with both active and passive equipment. This particular model accepts six (6) Motorola Optical Network terminals with an additional 1 RU of 19" rack mountable space, along with independent switching power supply, cooling fan and individual over current protection for each of the six ONT's. Lockable secure door has a capacity of over 50 pounds and can be customized to user specifications to accept other component structures. Cover opens safely with two built-in pneumatic cylinders.

### Features:

- ◆ Lockable secure lid design
- ◆ Removable door mounted assembly for 19" rack mounted panels and active equipment
- ◆ Total of 6 RU rack mountable space
- ◆ Multiple knockout configurations available
- ◆ Simplified design reduces network down time and labor costs associated with MAC work.
- ◆ Constructed from 16 GA galvanized steel or aluminum with customer specified powder coat finish available
- ◆ Multiple sizes available
- ◆ Four point built-in support brackets for threaded rod or hangers

### Dimensions as Shown

Length	Width	Depth
24"	24"	12"



Snake Tray® products are covered by one or more of the following patents: #6637704, #6637165, #6463704, #6460812, #6449912, #6361000, #6347493, #6019323, #6347493, #6449912, #6460812, #5953870, #5839702, #6926236, #7168212, #7959019. Foreign Patents: Australia #737813, #748160, #749488, #776643, #776644. Canada #2251732, #2319624, #2303081, #2396792. Japan #3723224. Mexico #204995, #229386, #220889. Europe #1012938, 1012937. Other Patents Pending.

**CABLE MANAGEMENT SOLUTIONS, INC.**

**CABLE MANAGEMENT AND POWER DISTRIBUTION**

291 SKIP LANE ♦ BAY SHORE, NEW YORK 11706 USA ♦ TEL: (800)308-6788 (631)674-0004

Document No. MKTG-0058 ♦ Revised August 2012 ♦ © 2012 Snake Tray

**Made in the USA**